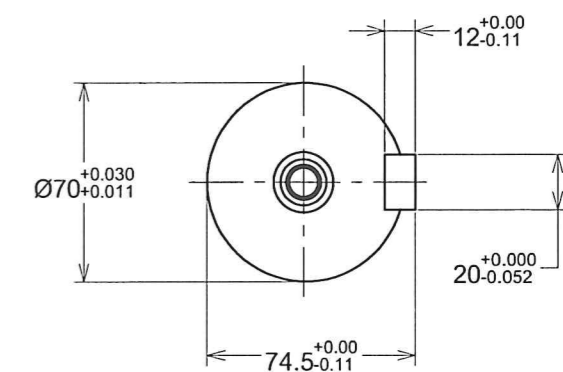
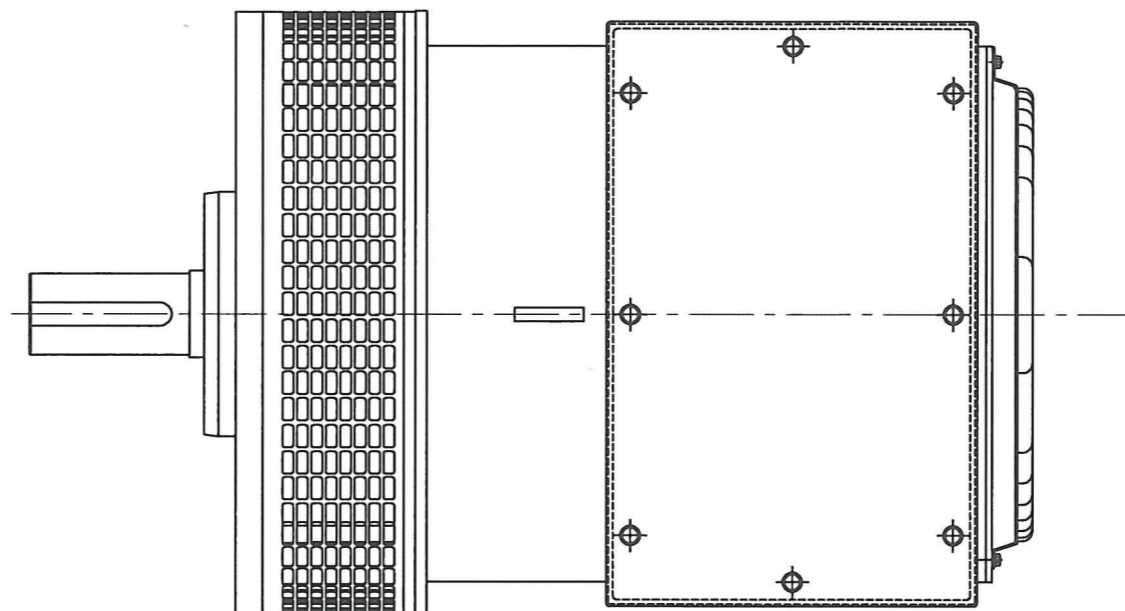
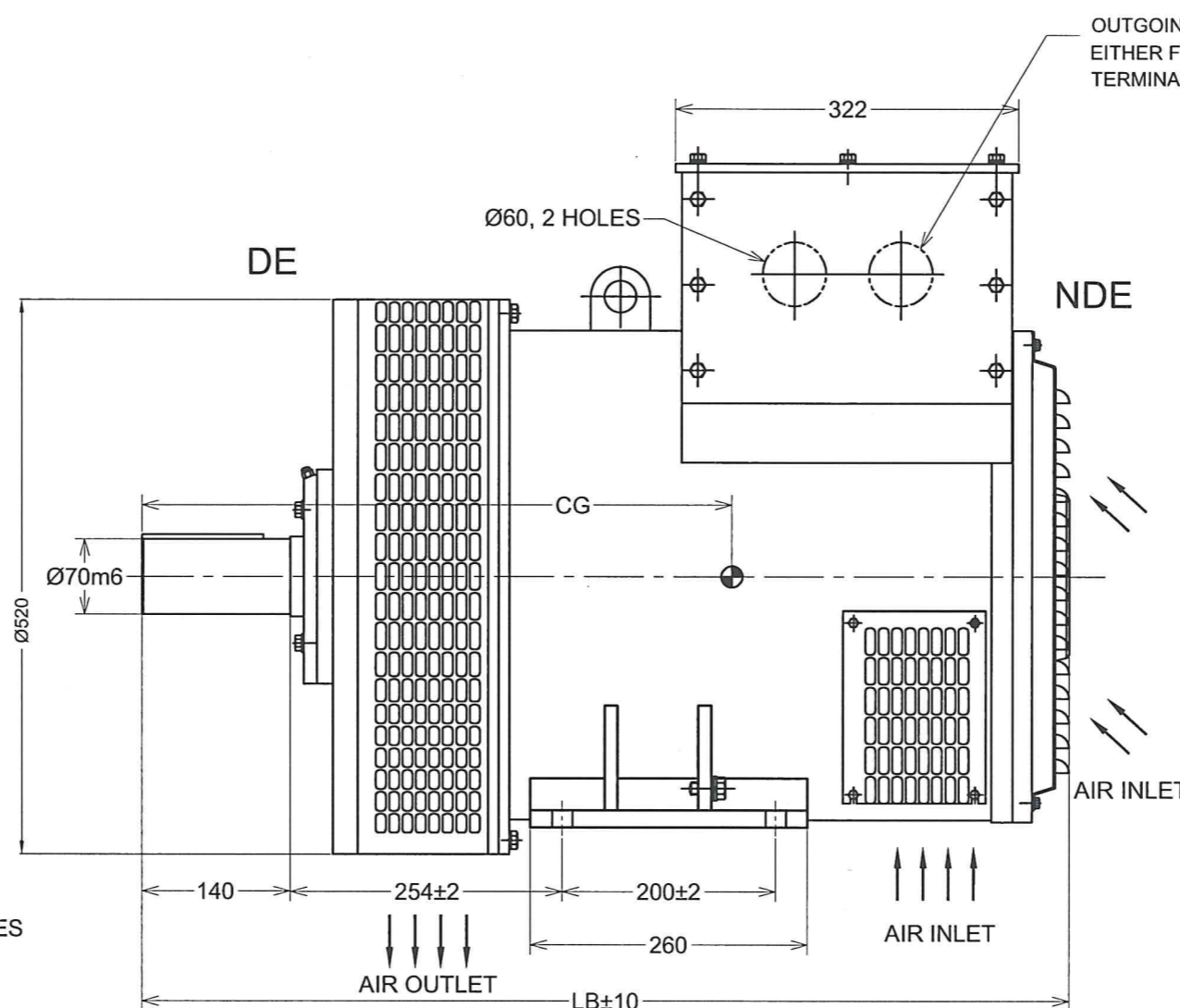
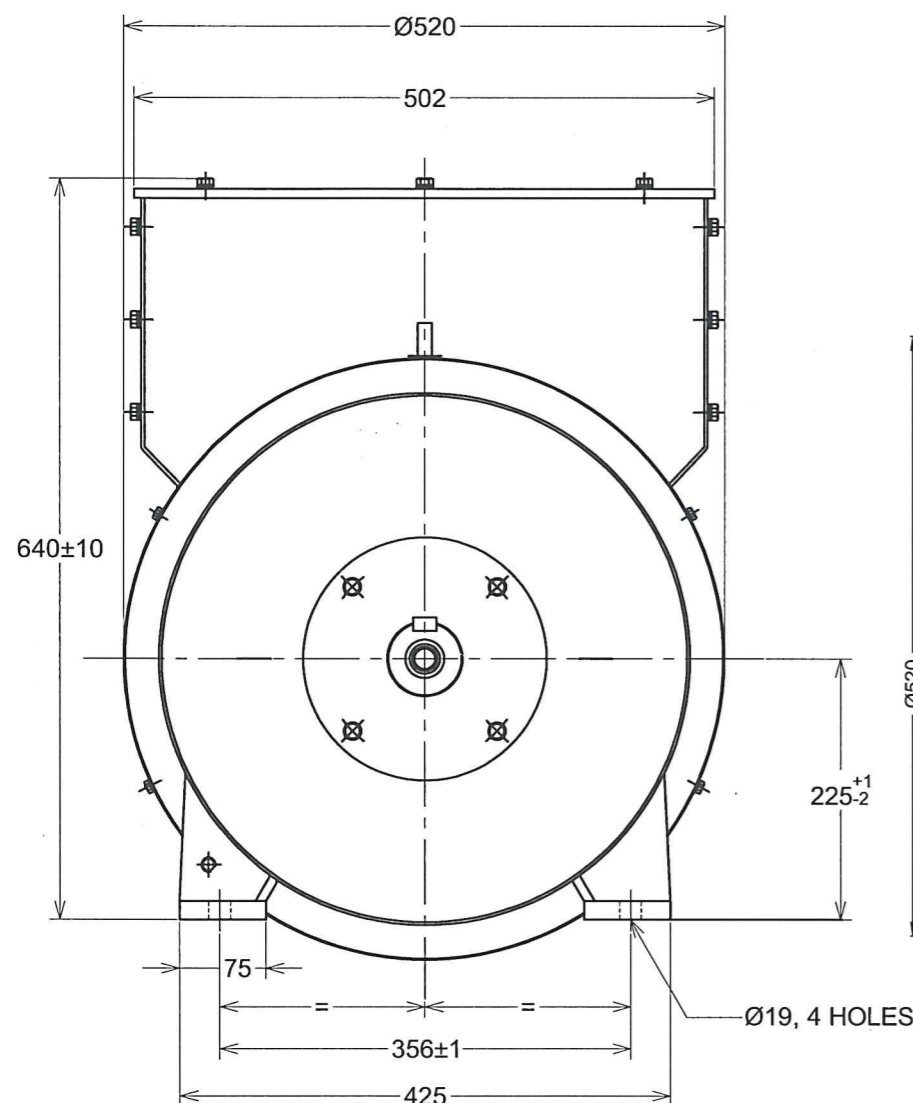


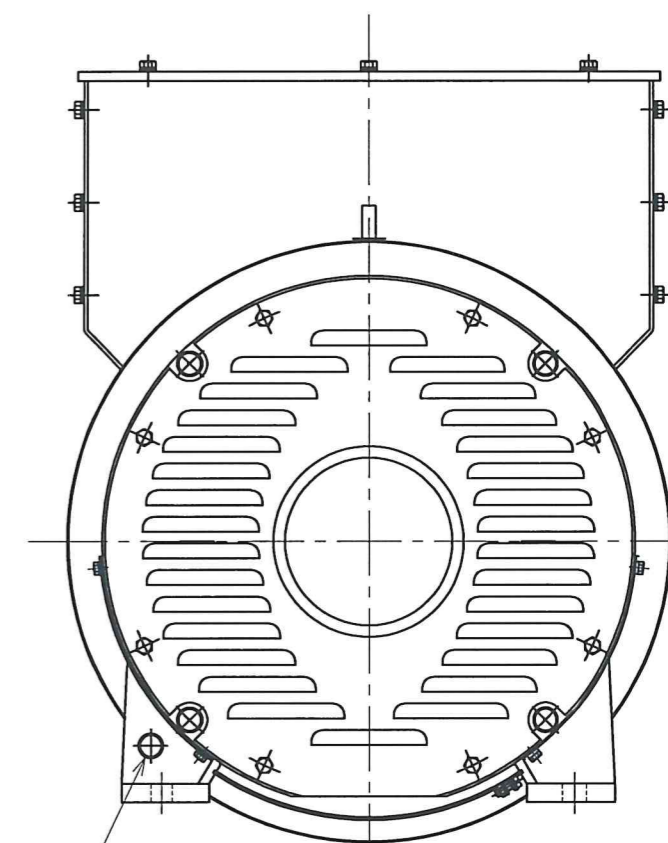
SL No.	FRAME	LB	CG	WEIGHT(kg.) Approx.
1	LSA 225 A	870	546	315
2	LSA 225 B	870	546	335
3	LSA 225 C	870	553	355



SHAFT EXTENSION DETAILS



OUTGOING LEADS CAN BE TAKEN OUT EITHER FROM L.H.S. OR R.H.S. OF TERMINAL BOX



M12 HEX. HEAD SCREW, ONE EACH ON DIAGONALLY OPPOSITE FOOT FOR EARTHING.

NOTE:- 1. SUFFICIENT CLEAR SPACE AROUND THE GENERATOR TO BE PROVIDED.
FOR FREE ENTRY / EXIT OF THE REQUIRED QUANTITY OF COOLING AIR TO ENSURE GOOD VENTILATION.

CONSTRUCTION : B3
COOLING : IC01
PROTECTION : IP 23

ALL INFORMATION CONTAINED IN THIS DOCUMENT IS CONFIDENTIAL AND THE PROPERTY OF THE COMPANY. REPRODUCTION OF THESE IN ANY FORM IS TO BE DONE WITH PERMISSION OF THE COMPANY.

REV	ZONE	CT No.	BRIEF RECORD	SIGNATURE	DATE

USED ON		SCALE		DRAWN		CHECKED		APPROVED	
LSA 225 24/26 (DOUBLE BEARING)		NTS		AC		VNR		VK	
TITLE		DRG. No.		1st RELEASE ON CT No.		SHEET No.		OF	
DIMENSION DRAWING		AG324166 R00		--		01		01	
NIDEC INDUSTRIAL AUTOMATION INDIA PRIVATE LTD BANGALORE-562162									

NIDEC/ISS/PY/001R0